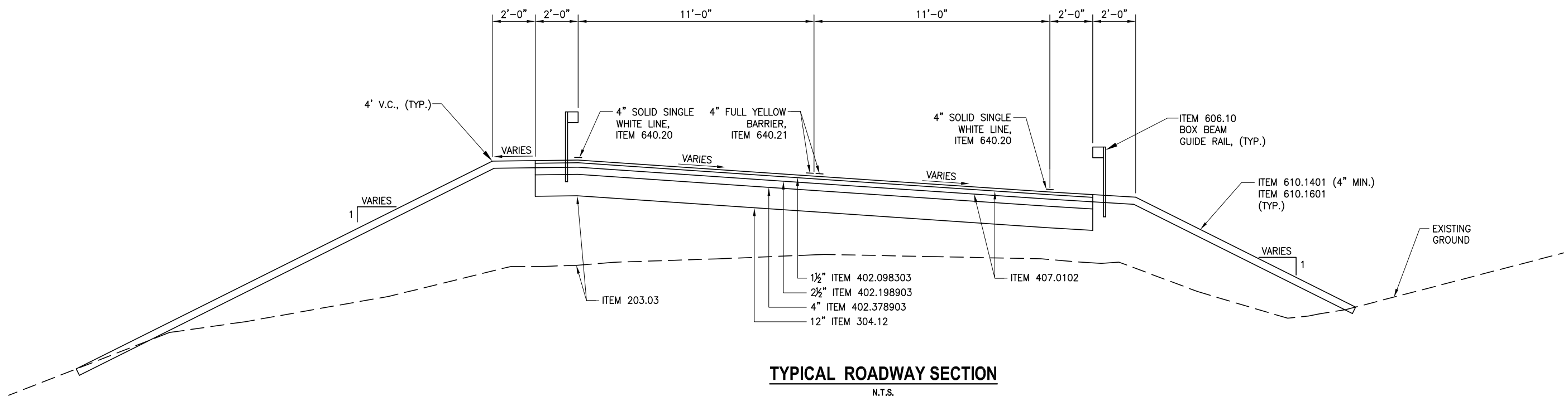
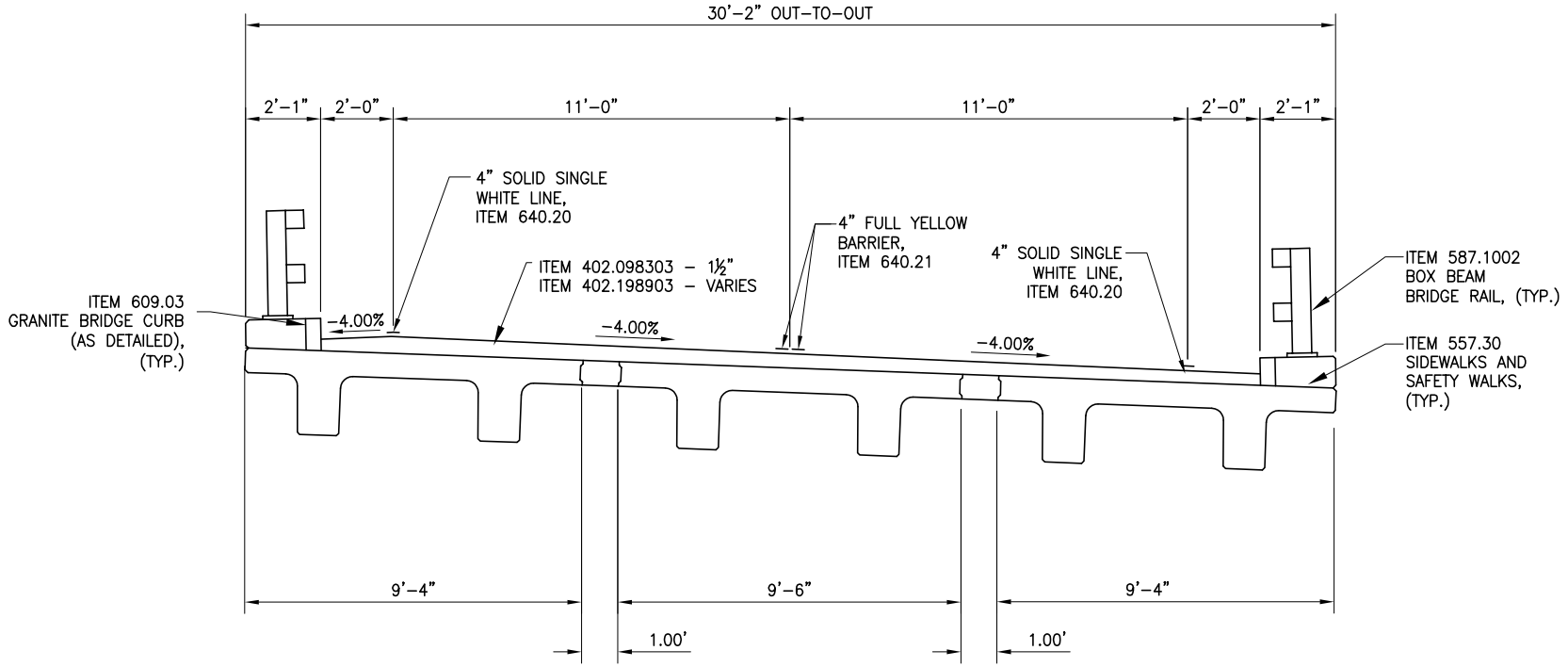


FILE NAME = 19060.00_TYP-SECT.DWG
 PRINT DATE = 3/4/2014 12:25 PM

CHECKED BY
 DRAFTED BY
 ESTIMATED BY
 CHECKED BY
 DESIGNED BY
 JOB MANAGER
 DESIGN SUPERVISOR



TYPICAL ROADWAY SECTION
 N.T.S.



TYPICAL BRIDGE SECTION
 N.T.S.

ITEM NO.	DESCRIPTION	UNIT
203.03	EMBANKMENT IN PLACE	CY
304.12	SUBBASE COURSE, TYPE 2	CY
402.098303	9.5 F3 TOP COURSE HMA, 80 SERIES COMPACTION	TON
402.198903	19 F9 BINDER COURSE HMA, 80 SERIES COMPACTION	TON
402.378903	37.5 F9 BASE COURSE HMA, 80 SERIES COMPACTION	TON
407.0102	DILUTED TACK COAT	GAL
557.30	SIDEWALK AND SAFETY WALKS	SY
587.1002	BOX BEAM BRIDGE RAIL, TWO RAIL	LF
609.03	GRANITE BRIDGE CURB (AS DETAILED)	LF
610.1402	TOPSOIL - ROADSIDE	CY
610.1601	TURF ESTABLISHMENT - ROADSIDE	SY
640.20	WHITE PAINT REFLECTORIZED PAVEMENT STRIPES - 20 MILS	LF
640.21	YELLOW PAINT REFLECTORIZED PAVEMENT STRIPES - 20 MILS	LF

AS BUILT REVISIONS
 DESCRIPTION OF WORK:

 SIGNATURE

 DATE

DOCUMENT NAME: 19060.00_TYP-SECT.DWG

REPLACEMENT OF C.R. 87 BRIDGE
 OVER LINDSEY CREEK
 TOWN OF ELLISBURG
 JEFFERSON COUNTY
 STATE OF NEW YORK

BRIDGES
 CULVERTS

NOTE: ALL UTILITY LOCATIONS SHOWN ARE QUALITY LEVEL C (QLD).

ALL DIMENSIONS IN US SURVEY FEET UNLESS OTHERWISE NOTED

TYPICAL SECTIONS

CONTRACT NUMBER
 PIN 7753.85.301

DRAWING NO. ST1-2
 SHEET NO.

NEW YORK STATE DEPARTMENT OF TRANSPORTATION REGION 7

